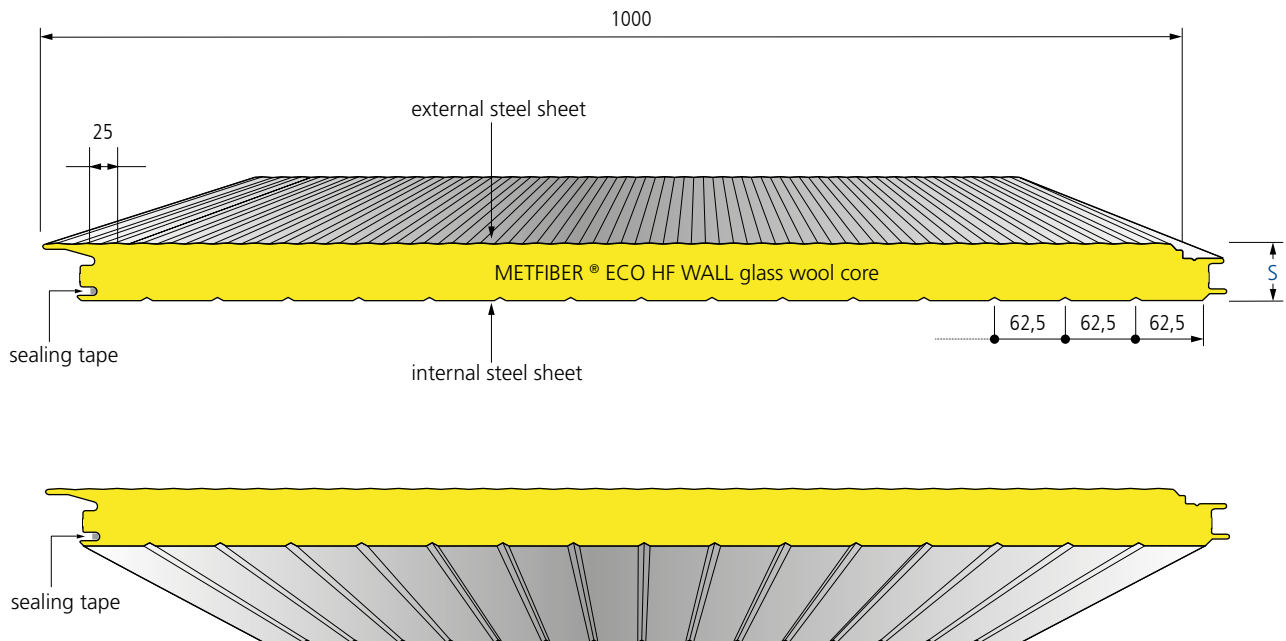


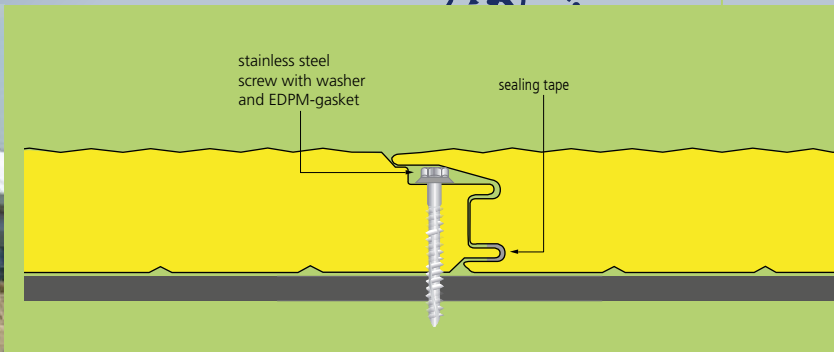


The Metfiber® Eco HF Wall panel with glass wool core and joint geometry for hidden fixing fulfils all the requirements for non-combustible building materials and is suited for both vertical and horizontal installation. The glass wool used in this product consists of 80% recycled material, thus contributing significantly to the saving of natural resources and making the product an ecological building material. The deadweight of the panel is distinctly lower than that of conventional sandwich panels with rock wool insulation core, hence enabling an easier, faster installation and cost reduc-

tion, especially for larger panels. For buildings exposed to high wind suction horizontal single span installation is recommended as well as the use of visible fixing screws covered by pilaster profiles. Due to the large number of combinations with other panels from our portfolio with polyurethane- or rock wool insulation core, it is possible to reach fire, acoustic and thermal requirements at once without any visual impact. More information is available in the download area [www.en.metecno.de](http://www.en.metecno.de).



different internal profiles on request, dimensions in mm



### PRODUCTION AND LABELING

Production according to applicable European Building Product Regulation as per sandwich norm DIN EN 14509 label-marking in accordance with EC certificate of conformity 0769-CPR-VAS-00420

### APPLICATION APPROVAL

Current approvals, certificates and general building permits at [www.en.metecno.de/service](http://www.en.metecno.de/service).

### REACTION TO FIRE

Building material classified as A2-s1,d0 non-combustible according to DIN EN 13501-1; insulation core made of glass wool

### THERMAL CONDUCTIVITY

$\lambda = 0.039 \text{ W / m.K}$  according to DIN 4108 and DIN EN 13162 The insulation values are regularly monitored by external bodies and may be applied without any further reduction

### STANDARD COATING

External and internal steel sheet: 25  $\mu\text{m}$  polyester  
For standard colours and different coating systems please refer to our colour chart

### STANDARD LENGTHS

> 2.00 m to 25.00 m, greater lengths on request

### CORROSION PROTECTION

According to DIN EN 10169:

External and Internal sheets: Class RC3

According to DIN EN ISO 12944-2:

External and internal sheets: corrosivity category C3

corresponding to average duration of protection for urban and industrial environments with moderate exposure to sulphur dioxide  
Other coating systems are available for more sophisticated demands such as for buildings near the sea, farm buildings with high ammonia exposure or moist rooms

### STANDARD STEEL SHEETS

Hot-dip galvanized steel, grade S 320 GD + Z275 according to DIN EN 10346

### TABLE OF SPANS

Please visit our website [www.en.metecno.de](http://www.en.metecno.de)

### PACKAGING

External sheets provided with removable protective film, panel packages wrapped with banded plastic foil to protect from soiling

INTERLOCKING JOINT COMPATIBILITY WITH SUPERWALL® ML & SUPERWALL® HF

type of element	core thic kn. s	external steel sheet t <sub>N</sub>	internal steel sheet t <sub>N</sub>	weight kg / m <sup>2</sup>	thermal resistance R m <sup>2</sup> K / W	thermal conductivity [ $\Psi$ – joint effect]	
						U w/o $\Psi$ W / m <sup>2</sup> K	U with $\Psi$ W / m <sup>2</sup> K
 METFIBER® ECO HF WALL	100	0,60	0,60	17,16	2,54	0,385	0,400
	120	0,60	0,60	18,46	3,05	0,322	0,331
	150	0,60	0,60	20,14	3,82	0,258	0,264
	200	0,60	0,60	23,66	5,10	0,194	0,197
	240*	0,60	0,60	26,26	6,12	0,162	0,164

\* no approval / on request

